

SWITCH DISCONNECTOR WITH FUSE IN NEW DESIGN
 IU=800A,
 UE=690V,
 3-POLE FOR BS FUSES C1-C3 WITH DOOR DRIVE 8UC7
 HANDLE TI-GREY/BL.GREEN BASIC MASKING FRAME
 LIGHT GRAY



Similar to image

General technical details:

| | | |
|---|--|---|
| product brand name | | SENTRON |
| product designation | | Switch Disconnecter with Fuses 3KL |
| Number of poles | | 3 |
| Installation size of fuse-link | | Form C1-C3 |
| Installation size of disconnecting link | | Form C1-C3 |
| Acceptability for application | | |
| <ul style="list-style-type: none"> • main switch • switch disconnecter • emergency stop switch • safety cut-out switch • maintenance/repair switch | | <p>Yes</p> <p>Yes</p> <p>No</p> <p>Yes</p> <p>Yes</p> |
| Product extension | | |
| <ul style="list-style-type: none"> • optional / motor drive • optional / voltage trigger | | <p>No</p> <p>No</p> |
| Design of the operating mechanism | | manual operating mechanism |
| Product equipment / interlock | | Yes |
| Type from device | | fixed mounting |
| type of voltage | | AC/DC |

| | | |
|--|---|--------------------------|
| Continuous current / rated value | A | 800 |
| Breaking capacity limit short-circuit current (I_{cu}) / at 400 V / rated value | | |
| • optional / interlock | | Yes |
| • auxiliary switch | | Yes |
| Active power loss | | |
| • maximum | W | 225 |
| • per conductor / typical | W | 75 |
| Insulation voltage / rated value | V | 1,000 |
| Impulse voltage resistance / rated value | V | 8,000 |
| Item designation | | |
| • according to DIN EN 61346-2 | | Q |
| • according to DIN 40719 extendable after IEC 204-2 / according to IEC 750 | | Q |
| Fuse system | | fuses according to BS 88 |

Main circuit:


| | | |
|---|---|----------------|
| Design of the electrical connection | | |
| • for main current circuit | | flat connector |
| Number of poles / for main current circuit | | 3 |
| Operating current | | |
| • at AC-21 | | |
| • at 500 V / rated value | A | 800 |
| • at 690 V / rated value | A | 800 |
| • rated value | A | 800 |
| • at AC-22 A | | |
| • at 400 V / rated value | A | 800 |
| • at 500 V / rated value | A | 800 |
| • at 690 V / rated value | A | 800 |
| • at AC-23 A | | |
| • at 400 V / rated value | A | 800 |
| • at 500 V / rated value | A | 800 |
| • at 690 V / rated value | A | 800 |
| • at AC-3 / at 400 V | | |
| • rated value | A | 800 |
| • at DC-23 A | | |
| • at 400 V / rated value | A | 630 |
| Service power | | |
| • at AC-23 A | | |
| • at 400 V / at 50/60 Hz / rated value | W | 400,000 |
| • at 500 V / at 50/60 Hz / rated value | W | 400,000 |

| | | |
|---|---|---------|
| • at 690 V / at 50/60 Hz / rated value | W | 500,000 |
| Operating voltage / for DC / rated value | V | 440 |
| Operating voltage / at 50/60 Hz / for AC / rated value | V | 690 |

| Auxiliary circuit: | | |
|--|--|---|
| Number of NC contacts / for auxiliary contacts | | 0 |
| Number of NO contacts / for auxiliary contacts | | 0 |
| Number of change-over switches / for auxiliary contacts | | 0 |

| Installation/mounting/dimensions: | | |
|--|----|-----------------------------------|
| mounting position | | any |
| Protection against electrical shock | | finger-safe |
| Design of the load switch | | No |
| • Strip form | | |
| Type of the driving mechanism | | No |
| • motor drive | | |
| Type of mounting | | surface mounting and installation |
| • Rail installation | | No |
| • front mounting with central fixation | | No |
| • front mounting with 4-hole fixation | | No |
| Width | mm | 345 |
| Height | mm | 270 |
| Depth | mm | 240 |

| Ambient conditions: | | |
|------------------------------------|----|-------------|
| Ambient temperature | | |
| • during operating | °C | -25 ... +55 |
| • during storage | °C | -50 ... +80 |
| Protection class IP | | IP00 |
| Verification of suitability | | CE |

| Certificates/approvals: | | | |
|---|--|---|---|
| General Product Approval | Test Certificates | other | |
|  GOST | Special Test Certificate | Declaration of Conformity | Environmental Confirmations |

Further information:

Information- and Downloadcenter (Catalogs, Brochures,...)
<http://www.siemens.com/lowvoltage/catalogs>

Industry Mall (Online ordering system)

<http://www.siemens.com/lowvoltage/mall>

Service&Support (Manuals, Certificates, Characteristics, FAQs,...)

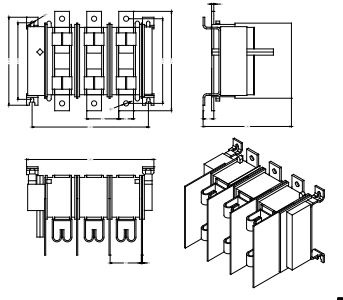
<http://support.automation.siemens.com/WW/view/en/3KL6230-1GG00/all>

Image database (product images, 2D dimension drawings, 3D models, device circuit diagrams, ...)

http://www.automation.siemens.com/bilddb/cax_en.aspx?mlfb=3KL6230-1GG00

CAX-Online-Generator

<http://www.siemens.com/cax>



last change:

Nov 5, 2012