

SITOR FUSE LINKS 80A,  
AC 690V (DIN 43620, SIZE 00)



Similar to image

### Technical data:

<b>Current / for AC / rated value</b>	A	80
<b>Size of the fallback-system / acc. to DIN EN 60269-1</b>		NH00
<b>Supply voltage</b>		
• for AC / rated value	V	690
• for DC	V	440
<b>Switching capacity current</b>		
• in accordance with IEC 60947-2 / rated value	kA	71
<b>Design of an identification indicator</b>		others
<b>Ambient temperature</b>	°C	-20 ... +50
<b>Varying load factor (WL)</b>		0.95

### Certificates/approvals:

General Product Approval

Declaration of Conformity



CCC



GOST



EG-Konf.

### Further information:

---

**Information- and Downloadcenter (Catalogs, Brochures,...)**

<http://www.siemens.com/lowvoltage/catalogs>

---

**Industry Mall (Online ordering system)**

<http://www.siemens.com/lowvoltage/maill>

---

**Service&Support (Manuals, Certificates, Characteristics, FAQs,...)**

<http://support.automation.siemens.com/WW/view/en/3NE8020-1/all>

---

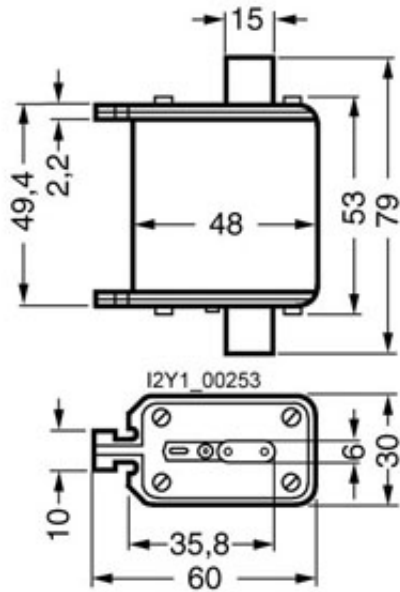
**Image database (product images, 2D dimension drawings, 3D models, device circuit diagrams, ...)**

[http://www.automation.siemens.com/bilddb/cax\\_en.aspx?mlfb=3NE8020-1](http://www.automation.siemens.com/bilddb/cax_en.aspx?mlfb=3NE8020-1)

---

**CAX-Online-Generator**

<http://www.siemens.com/cax>



last change:

Feb 15, 2013