



DIAZED FUSE BASE SIZE DIV CERAMIC,
1-POLE,
WITH COVER RIN FOR SCREW CONNECTION
TERMINALS: FLAT-TYPE CONNECTION WITH SPANNER
BOLT 100 A,
500 V AC/DC

Similar to image

Technical data:

Design of the fuse base		gauge inset
Current / for AC / rated value	A	100
Number of poles		1
Type of mounting		screw fixing
Material / of the enclosure		porcelain
Product component / Cover		Yes
Size of the fallback-system / acc. to DIN EN 60269-1		DIV
Supply voltage / for AC / rated value	V	500

Certificates/approvals:

General Product
Approval

Shipping Approval



GOST



GL

Further information:

Information- and Downloadcenter (Catalogs, Brochures,...)

<http://www.siemens.com/lowvoltage/catalogs>

Industry Mall (Online ordering system)

<http://www.siemens.com/lowvoltage/mall>

Service&Support (Manuals, Certificates, Characteristics, FAQs,...)

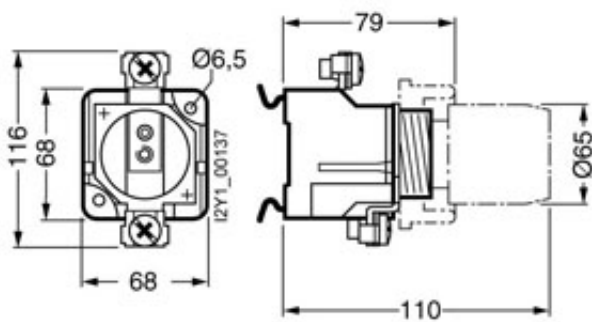
<http://support.automation.siemens.com/WW/view/en/5SF1401/all>

Image database (product images, 2D dimension drawings, 3D models, device circuit diagrams, ...)

http://www.automation.siemens.com/bilddb/cax_en.aspx?mlfb=5SF1401

CAX-Online-Generator

<http://www.siemens.com/cax>



last change:

Feb 17, 2013