



RES.CURRENT OP.CIRCUIT BREAKER TYPE A PSE/SSF,  
N-LEFT 25A 2-POLIG IFN 30MA 230V 2MW

Similar to image

**Technical data:**

<b>mounting position</b>		any
<b>Height</b>	mm	90
<b>Width</b>	mm	36
<b>Depth</b>	mm	70
<b>Design of the product</b>		Instantaneous
<b>Supply voltage / for AC / rated value</b>	V	230
<b>Resistance against the impulse current / rated value</b>	kA	1
<b>Ambient temperature</b>	°C	-25 ... +45
<b>Ambient temperature</b> • during storage	°C	-40 ... +75
<b>Mechanical operating cycles as operating time / typical</b>		10,000
<b>Overvoltage class</b>		III
<b>Supply voltage / for testing equipment / minimum</b>	V	100
<b>Protection against electrical shock</b>		Finger and back-of-hand safe
<b>Position / of power supply cord</b>		top or bottom
<b>Tightening torque</b> • with screw-type terminals	N·m	2.5 ... 3
<b>Section de conducteur raccordable</b>		

• solid	mm <sup>2</sup>	1 ... 16
• multibrin	mm <sup>2</sup>	1 ... 16
<b>Product feature</b>		
• [not supplied - silicon-free]		Yes
• halogen-free		Yes
<b>Number of test cycles / for environmental testing / in accordance with IEC 60068-2-30</b>		28
<b>Device tag</b>		
• according to DIN EN 61346-2		F
• according to DIN EN 81346-2		F

#### Certificates/approvals:

General Product Approval	Declaration of Conformity	other
 GOST	 VDE	 EG-Konf.
<a href="#">other</a>		<a href="#">Environmental Confirmations</a>

#### Further information:

##### Information- and Downloadcenter (Catalogs, Brochures,...)

<http://www.siemens.com/lowvoltage/catalogs>

##### Industry Mall (Online ordering system)

<http://www.siemens.com/lowvoltage/mall>

##### Service&Support (Manuals, Certificates, Characteristics, FAQs,...)

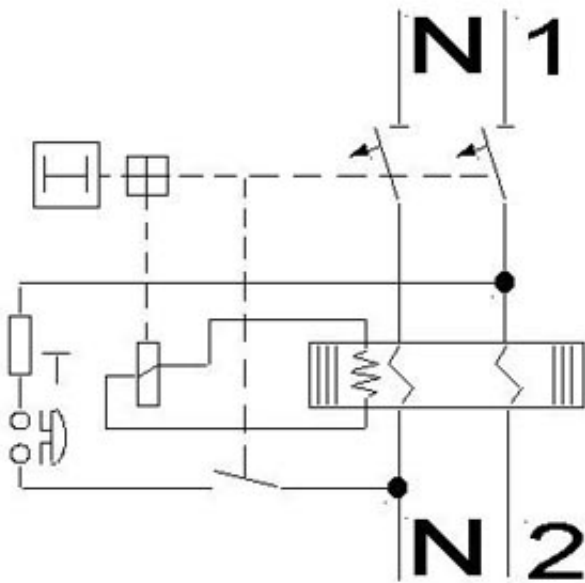
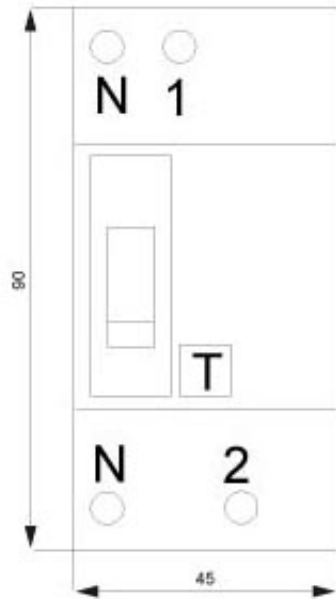
<http://support.automation.siemens.com/WW/view/en/5SM3312-6KL/all>

##### Image database (product images, 2D dimension drawings, 3D models, device circuit diagrams, ...)

[http://www.automation.siemens.com/bilddb/cax\\_en.aspx?mlfb=5SM3312-6KL](http://www.automation.siemens.com/bilddb/cax_en.aspx?mlfb=5SM3312-6KL)

##### CAx-Online-Generator

<http://www.siemens.com/cax>



last change:

Dec 31, 2012