

ROTARY DRIVE 200MM RED



Similar to image

**Technical data:**

<b>Design of the operating mechanism</b>		Other
<b>Product equipment / interlock</b>		No
<b>Acceptability for application / emergency stop switch</b>		No
<b>Type from device</b>		other
<b>Design of the electrical connection / for main current circuit</b>		Other
<b>Suitability for use / safety cut-out switch</b>		No
<b>Type of the driving mechanism / motor drive</b>		No
<b>Protection class IP</b>		Other
<b>Acceptability for application / main switch</b>		No
<b>Acceptability for application / switch disconnecter</b>		No
<b>Product extension / optional / motor drive</b>		No
<b>Product extension / optional / voltage trigger</b>		No
<b>Type of fixing / 4-hole front mounting</b>		No
<b>Type of fixing / central front mounting</b>		No
<b>Suitability for integration / distribution board</b>		No
<b>Acceptability for application / maintenance/repair switch</b>		No

**Certificates/approvals:**

General Product  
Approval

other



[Environmental  
Confirmations](#)

#### Further information:

##### Information- and Downloadcenter (Catalogs, Brochures,...)

<http://www.siemens.com/lowvoltage/catalogs>

##### Industry Mall (Online ordering system)

<http://www.siemens.com/lowvoltage/mall>

##### Service&Support (Manuals, Certificates, Characteristics, FAQs,...)

<http://support.automation.siemens.com/WW/view/en/5TE9012/all>

##### Image database (product images, 2D dimension drawings, 3D models, device circuit diagrams, ...)

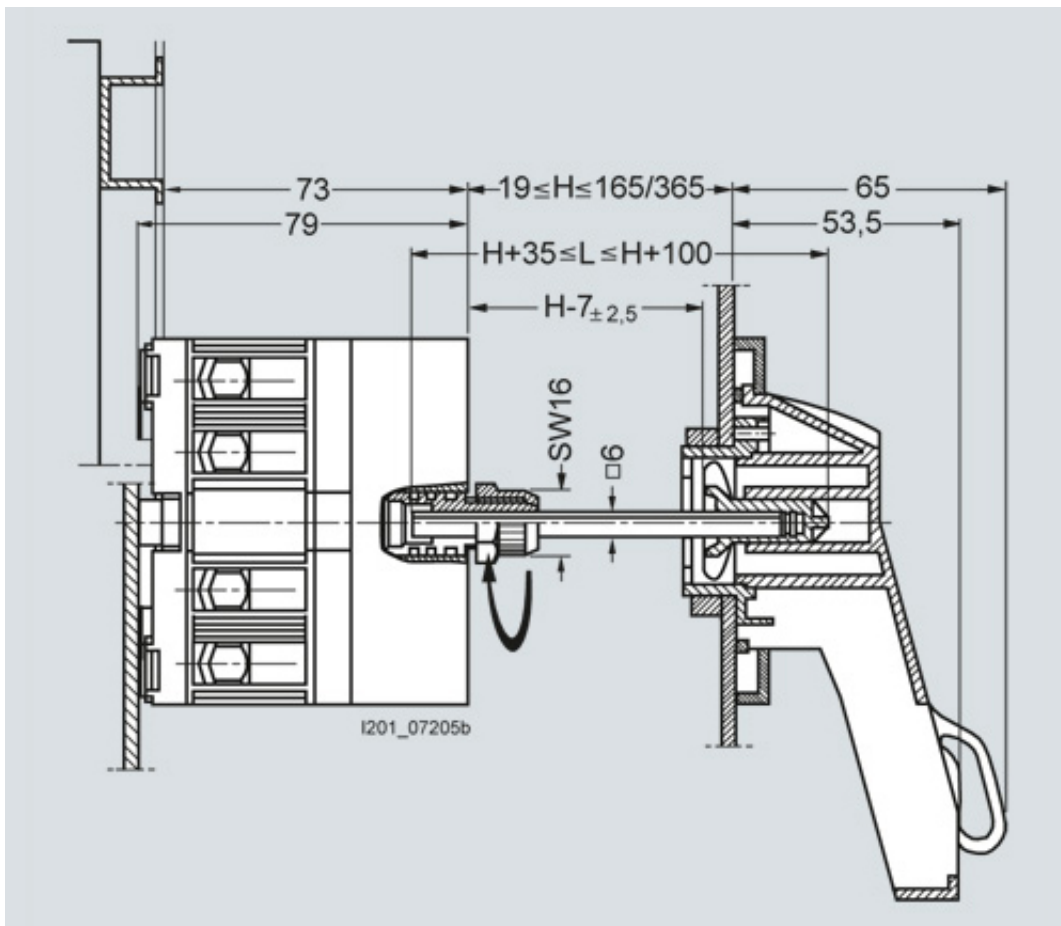
[http://www.automation.siemens.com/bilddb/cax\\_en.aspx?mlfb=5TE9012](http://www.automation.siemens.com/bilddb/cax_en.aspx?mlfb=5TE9012)

##### CAX-Online-Generator

<http://www.siemens.com/cax>

##### Tender specifications

[Datanorm GAEB81](#) [GAEB83](#) [RTF](#) [TXT](#)



last change:

Nov 5, 2012